

Rugged economical plastic distributor heads for single in-out applications on simple filters.

Distributed by:



S.I.A.T.A Asia Pacific Pte Ltd

37 Tannery Lane

#06-08 Tannery House

Singapore 347790

Tel: +65 6741 2994 • Fax: +65 6741 2995

www.siata.com.sg

890 Series Plastic Distributor Heads

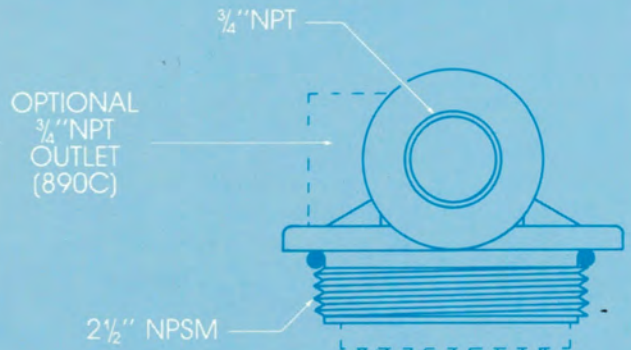
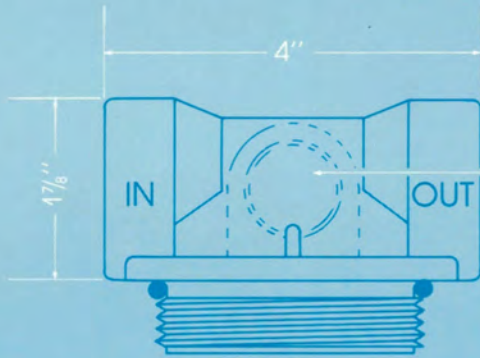


The **890 Series Distributor Heads** are molded of rugged composite plastic and are designed for single in-out applications on simple filters (sediment removal, taste, odor or pH neutralization).

These economical heads will fit onto standard 2½" NPSM tank openings. A tapered riser port simplifies installation of 1¾" riser pipes. Inlet and outlet are ¾" FNPT for easy straight line installation. A second ¾" outlet is available for water sampling or other applications. A complete line of top and bottom distributors and riser pipes is available. Consult factory for additional information.

Rugged economical plastic distributor heads for single in-out applications on simple filters.

890 Series Plastic Distributor Heads



TOP
DIST-
RIBUTOR

RISER
PIPE

Order Number	Description	Tank Opening Size	890 Dist. Head		Riser Pipe Size
			Inlet Size	Outlet Size(s)	
D7171	890S Distributor Head	2 1/2"	3/4"	3/4"	1 3/16"
D7173	890C Distributor Head with two outlets	2 1/2"	3/4"	3/4" (2)	1 3/16"

A complete line of top and bottom Distributor Heads and Risers is available. Consult factory for additional information.

Specifications and dimensions subject to change without notice.

BOTTOM
DISTRIBUTOR

Distributed by:



S.I.A.T.A Asia Pacific Pte Ltd

37 Tannery Lane
#06-08 Tannery House
Singapore 347790
Tel: +65 6741 2994 • Fax: +65 6741 2995

www.siata.com.sg